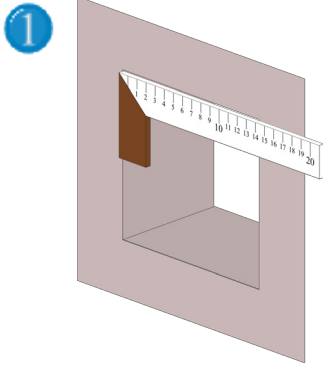
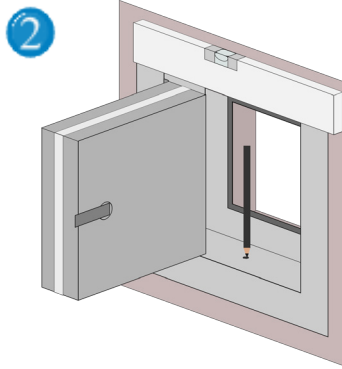


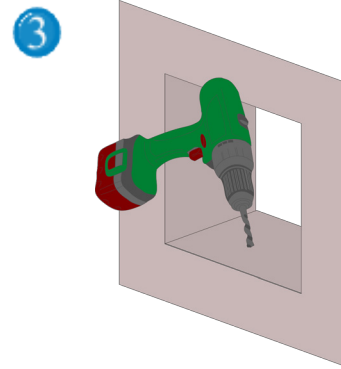
Installation Instructions - System EXT



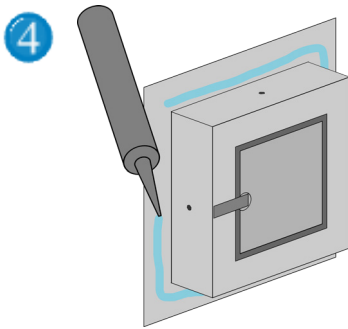
1
Prior to inserting door into opening, check to see that opening is properly sized approx. 1/4" larger than door. Wall surface should be flat and even.



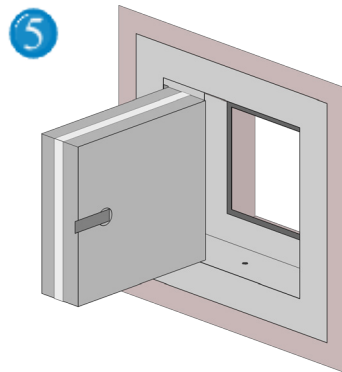
2
Insert the access door into the wall opening and double check the level fit of the door in the opening. Mark the position of the pre-drilled holes in the wall opening and remove the access doors again.



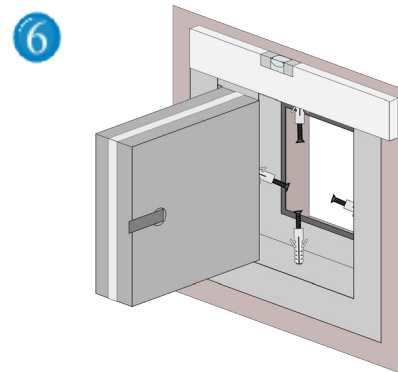
3
Pre-drill the holes .



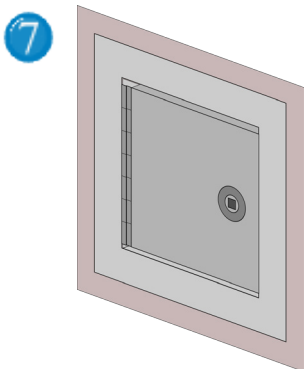
4
Apply a bead of silicone type caulk on the back of the exposed frame flange.



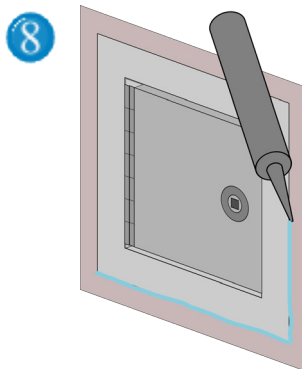
5
Reinsert the access door into wall opening. Please make sure you install it right- or left-hinged. The locking mechanism has to be on the either side, not top or bottom.



6
Temporary shims may be used to help maintain the location and squareness of the door until it is secured in place. Secure the door frame with plastic concrete wall anchors and screws. Tighten or loosen screws to allow frame to become flush with door.



7
After installation close the door.



8
You may apply a bead of silicone type caulking around the frame to fill voids between the wall opening and door frame.

Watch the installation video:

