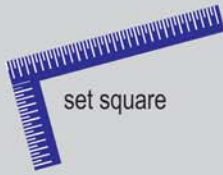


Installation instructions

Aluminum frame, with drywall inlay, for drywall walls and ceilings - System F2 A - screwed panel

Tools Required



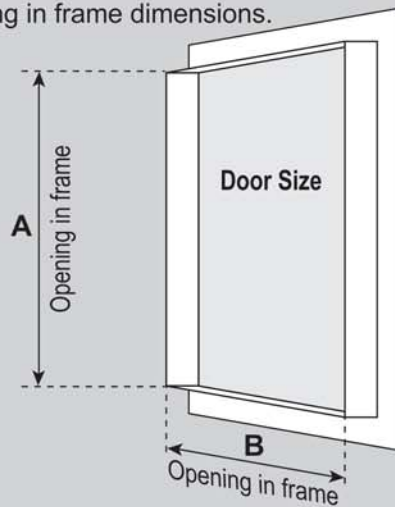
Measuring and cutting the rough opening:

- 1 Determine the location for the Access Panel and note the position of studs or joists.
- 2 Measure the **inside** dimensions of the frame (not the door). Add $\frac{3}{8}$ " (9 mm) to each dimension.

Frame (shown with door removed)

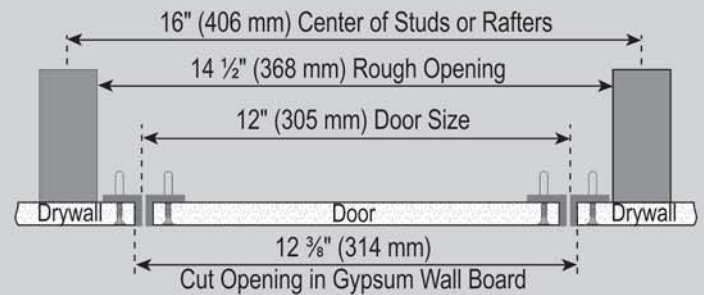
Door Size is opening in frame dimensions.

A and B are the dimensions of opening in the frame

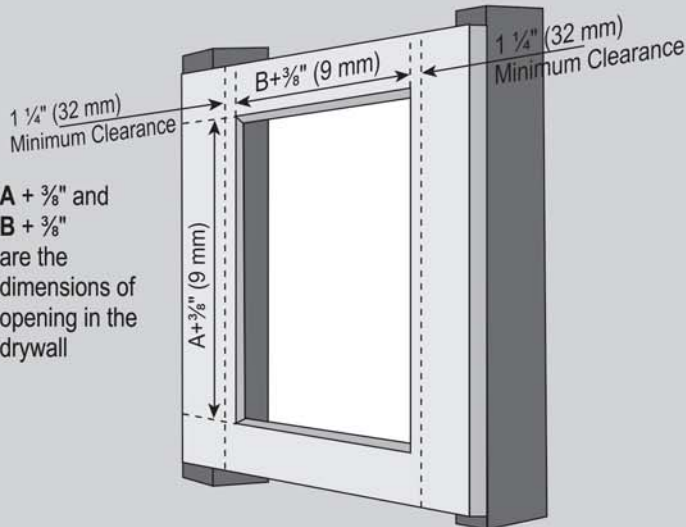


Standard ceiling and walls -stud or joists at 16" (406 mm) center

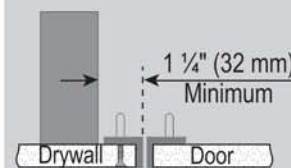
The illustration below shows the maximum size of the frame that fits between joists or studs on standard center.



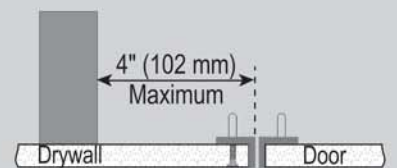
Opening in gypsum wall board



Minimum clearance to studs from cut opening



Maximum clearance to studs from cut opening



- 3 Mark a pair of base lines 90° to each other on the ceiling or wall where the hole will be. These must be a **minimum** of 1 1/4" (32 mm) and a **maximum** of 4" (102 mm) away from a stud or joist. Mark the opposite sides using the dimensions in Step 2. Accurate marking is very important and make sure that the lines are square.
- 4 Cut the opening with a knife, saw or drywall cutter. Make sure the edges are clean.

FF Systems
Access Panels

United States

FF Systems, Inc. Toll-Free: 1-888-978-1808
4841 Waycross Road Phone: 239-288-4255
Fort Myers, FL 33905 Fax: 239-288-4251
info@ffsystemsinc.com
www.ffsystemsinc.com

Canada

FF Systems, Inc. Toll-Free: (855) 337-2635
545 Trillium Drive, Unit 2 Phone: +1 519-896-0888
Kitchener, Ontario N2R 1J4 Fax: +1 519-896-0499
info@ffsystems.ca
www.ffsystems.ca

Installation instructions

Aluminum frame, with drywall inlay, for drywall walls and ceilings - System F2 A - screwed panel

Please Note: The door hatch should be removed from the Access Panel and the frame fitted on its own.

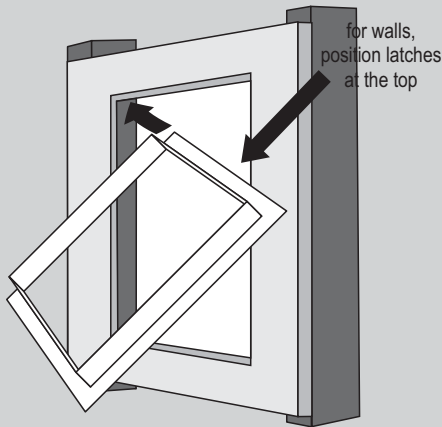
For larger Access Panels, it is recommended that the door is put in place before applying drywall compound to check that the frame is square and will open and close properly after installation.

Important: When the Access Panel is being fitted into a wall, position the unit with the latches at the **top**.

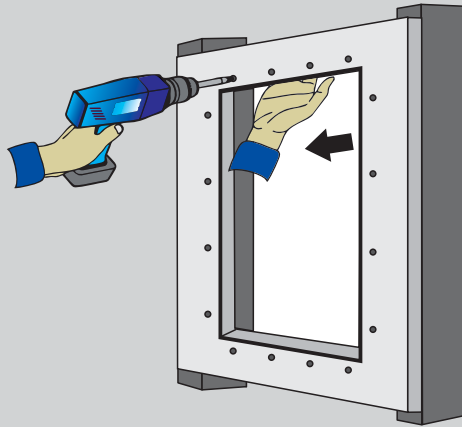
If the panel is going into a ceiling, it may make access easier if the latches are positioned away from any wall.

Drywall insert with screws on sizes larger than 24" x 24" (610 mm x 610 mm).

- 1** Pass the Access Panel through the opening and pull firmly back into position.

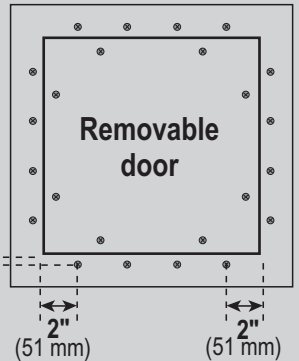


- 2** Screw through the drywall into the frame of the Access Panel. The maximum distance between screws is 4" (102 mm).

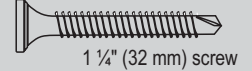


Minimum one screw per 4"

1/2" (13 mm)



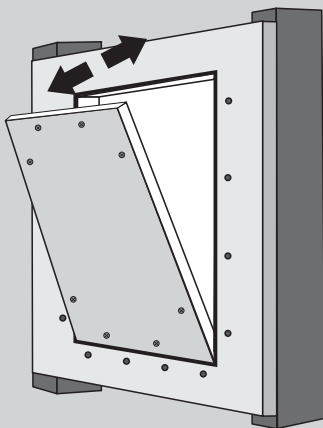
Recommended screw



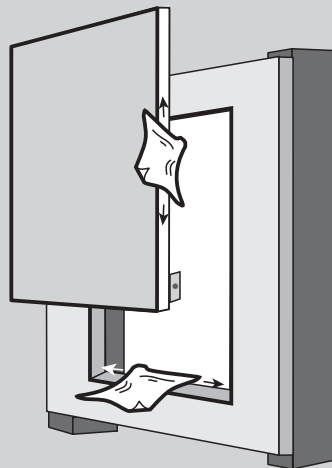
Safety cap



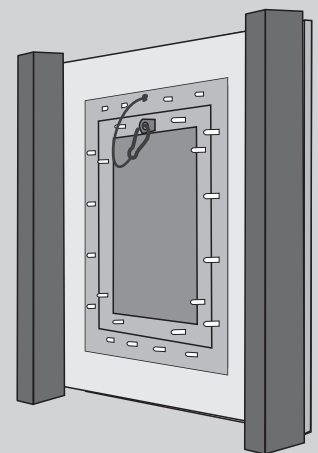
- 3** Test the door opens correctly. Apply drywall compound separately to the hatch and wall.



- 4** Clean the frame and the door with a damp cloth.



- 5** Install safety cable.



For further information please scan one of the codes and watch our video showing **installation steps**

english



spanish



french



FF Systems
Access Panels

United States

FF Systems, Inc. Toll-Free: 1-888-978-1808
4841 Waycross Road Phone: 239-288-4255
Fort Myers, FL 33905 Fax: 239-288-4251
info@ffsystemsinc.com
www.ffsystemsinc.com

Canada

FF Systems, Inc. Toll-Free: (855) 337-2635
545 Trillium Drive, Unit 2 Phone: +1 519-896-0888
Kitchener, Ontario N2R 1J4 Fax: +1 519-896-0499
info@ffsystems.ca
www.ffsystems.ca