

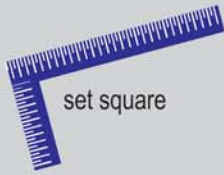
# Installation instructions

Aluminum frame, with drywall inlay, for drywall walls and ceilings - System F1 - screwed panel

## Tools Required



screwdriver



set square



Tape Measure



Level



Drywall saw

or Utility knife

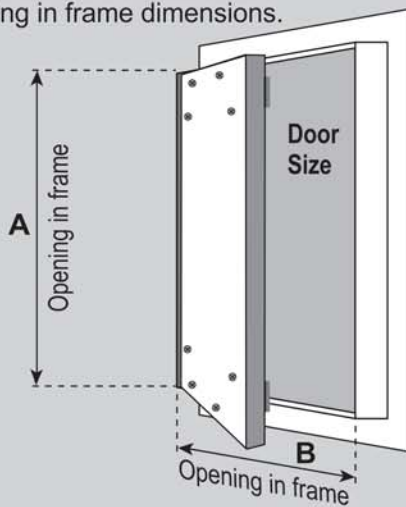
## Measuring and cutting the rough opening:

- 1 Determine the location for the Access Panel and note the position of studs or joists.
- 2 Measure the **inside** dimensions of the frame (not the door). Add  $\frac{3}{8}$ " (9 mm) to each dimension.

## Frame (shown with hatch open)

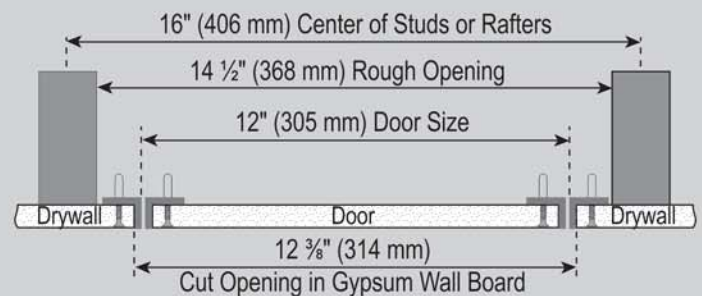
Door Size is opening in frame dimensions.

A and B are the dimensions of opening in the frame

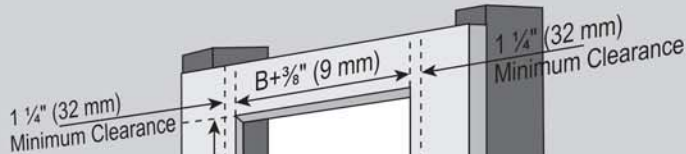


## Standard ceiling and walls -stud or joists at 16" (406 mm) center

The illustration below shows the maximum size of the frame that fits between joists or studs on standard center.

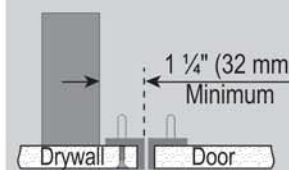


## Opening in gypsum wall board

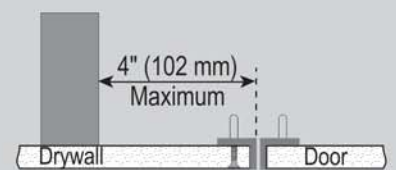


A +  $\frac{3}{8}$ " and B +  $\frac{3}{8}$ " are the dimensions of opening in the drywall

## Minimum clearance to studs from cut opening



## Maximum clearance to studs from cut opening



- 3 Mark a pair of base lines 90° to each other on the ceiling or wall where the hole will be. These must be a **minimum** of 1 1/4" (32 mm) and a **maximum** of 4" (102 mm) away from a stud or joist. Mark the opposite sides using the dimensions in Step 2. Accurate marking is very important and make sure that the lines are square.
- 4 Cut the opening with a knife, saw or drywall cutter. Make sure the edges are clean.

**FF Systems**  
Access Panels

## United States

**FF Systems, Inc.** Toll-Free: 1-888-978-1808  
 4841 Waycross Road Phone: 239-288-4255  
 Fort Myers, FL 33905 Fax: 239-288-4251  
 info@ffsystemsinc.com  
 www.ffsystemsinc.com

## Canada

**FF Systems, Inc.** Toll-Free: (855) 337-2635  
 545 Trillium Drive, Unit 2 Phone: +1 519-896-0888  
 Kitchener, Ontario N2R 1J4 Fax: +1 519-896-0499  
 info@ffsystems.ca  
 www.ffsystems.ca

# Installation instructions: Installation

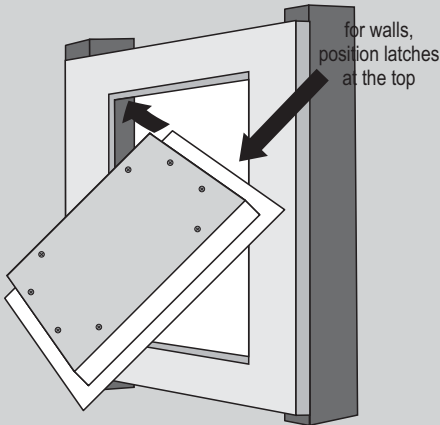
Aluminum frame, with drywall inlay, for drywall walls and ceilings - System F1 - screwed panel

**Please Note:** Check to make sure frame is square before installing all the screws to insure proper operation of the door.

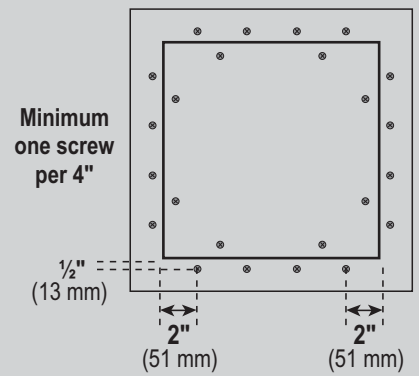
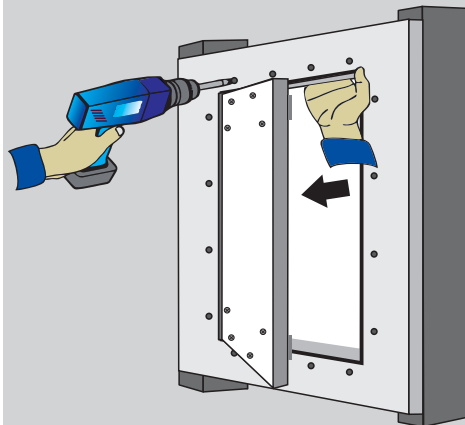
**Important:** This panel can be installed in the wall right or left handed or so the panel tips out to open. If the panel is going into the ceiling, Please install the latches away from the wall for easier operation .

**Drywall insert with screws on sizes larger than 24" x 24" (610 mm x 610 mm).**

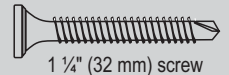
- 1** Pass the Access Panel through the opening and pull firmly back after opening hatch.



- 2** Screw through the drywall into the frame of the Access Panel. The maximum distance between screws is 4" (102 mm).



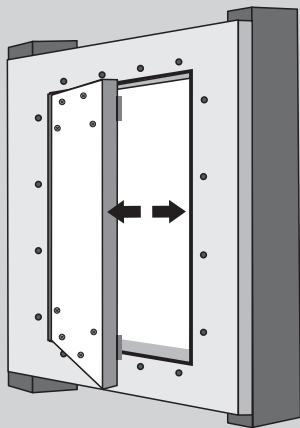
Recommended screw



Safety cap



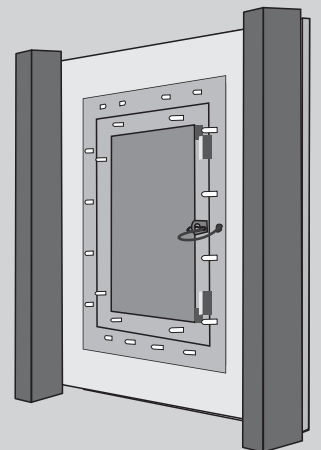
- 3** Test the door opens correctly. Apply drywall compound.



- 4** Clean the frame and the door with a damp cloth.



- 5** Install safety cable.



US/CA\_Rev1\_Installation\_instructions\_F1\_screwed\_V15\_KÄN\_250815

For further information please scan one of the codes and watch our video showing **installation steps**

english



spanish



french



**FF Systems**  
Access Panels

United States

**FF Systems, Inc.** Toll-Free: 1-888-978-1808  
4841 Waycross Road Phone: 239-288-4255  
Fort Myers, FL 33905 Fax: 239-288-4251  
info@ffsystemsinc.com  
www.ffsystemsinc.com

Canada

**FF Systems, Inc.** Toll-Free: (855) 337-2635  
545 Trillium Drive, Unit 2 Phone: +1 519-896-0888  
Kitchener, Ontario N2R 1J4 Fax: +1 519-896-0499  
info@ffsystems.ca  
www.ffsystems.ca